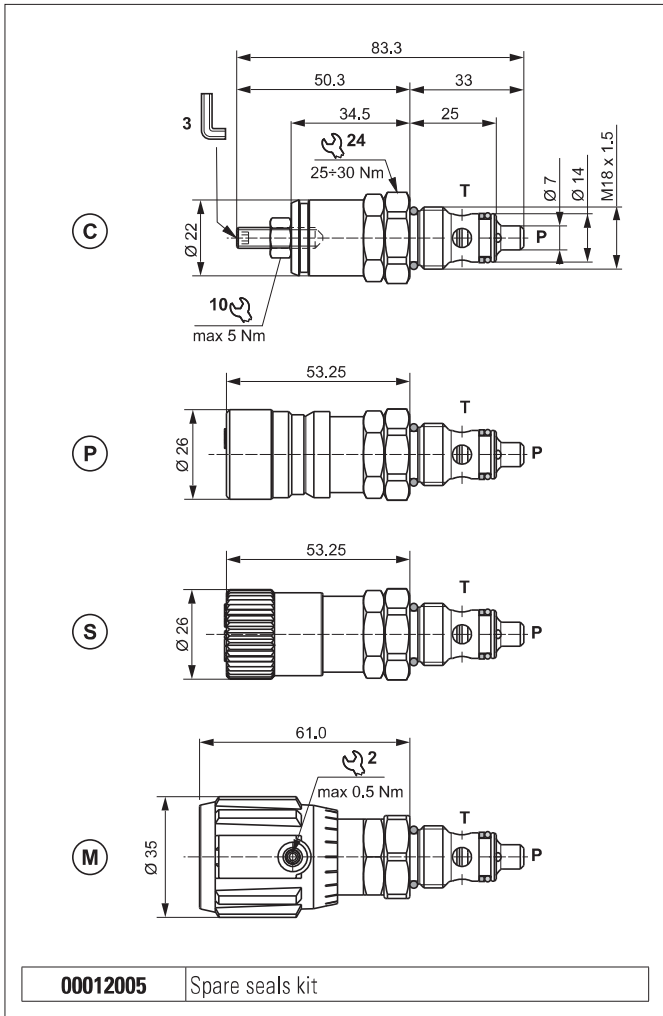


DIRECT ACTING PRESSURE RELIEF VALVES

1



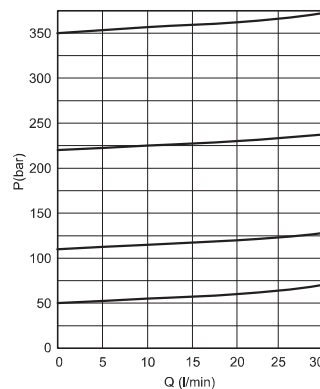
The direct acting relief valve limits the pressure in a hydraulic circuit. It raises the safety level by making it impossible for the plant operators to set a higher pressure rating, than that specified in the catalogue. It has a pack spring with a mechanical stop. It has a galvanised steel body. The guided ball poppet is in tempered and ground steel.

HYDRAULIC FEATURES

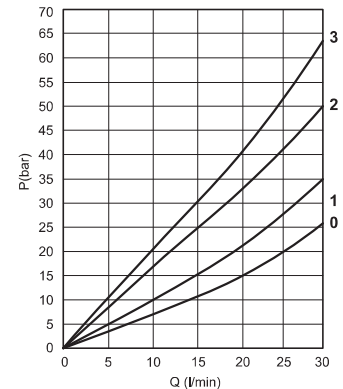
Max. working pressure	350 bar
Setting range:	
Spring 0 (white)	max 50 bar
Spring 1 (green)	max 110 bar
Spring 2 (yellow)	max 220 bar
Spring 3 (red)	max 350 bar
Max. Flow	30 l/min
Hydraulic fluid	DIN 51524 Mineral oils
Fluid viscosity	10 ÷ 500 mm ² /s
Fluid temperature	-25°C ÷ 75°C
Ambient temperature	-25°C ÷ 60°C
Max. contamin. level class with filter	ISO 4406:1999 - class 19/17/14
Weight	0.14 kg
Tightening torque	28 ÷ 32 Nm
Cavity (M18 x 1.5)	CN041009 (See section 17)

The minimum permissible setting pressure depending on the spring: see curves below

PRESSURE-FLOW RATE

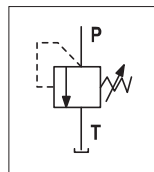


MIN. SETTING PRESSURE

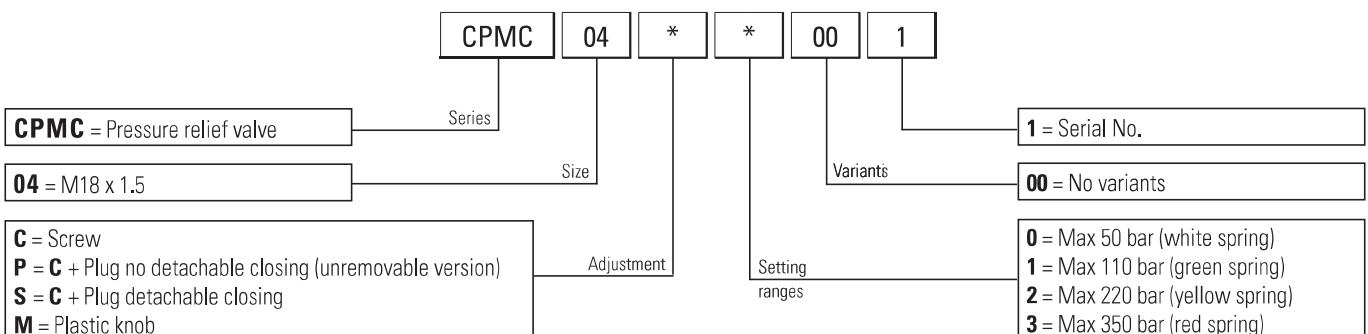


0 = CPMC04*0 - 1 = CPMC04*1.. - 2 = CPMC04*2.. - 3 = CPMC04*3..
 Fluid used: mineral based oil with viscosity 46 mm²/s at 40°C.

HYDRAULIC SYMBOL

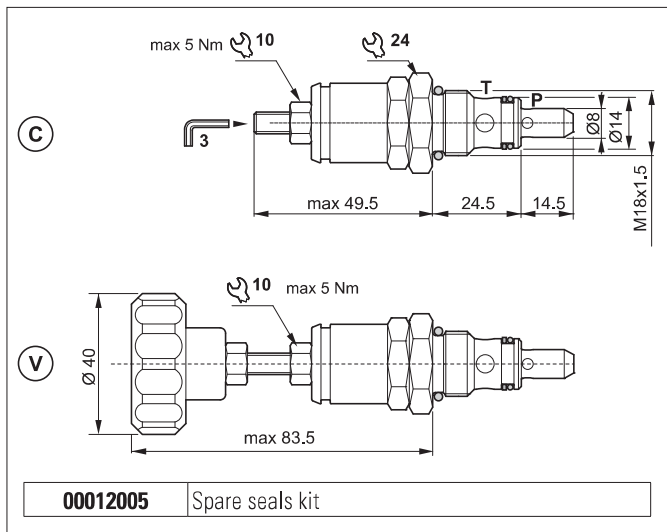


ORDERING CODE



DIRECT ACTING PRESSURE RELIEF VALVES (FOR POWER PACKS SERIES MC/MS)

1



The direct acting relief valve limits the pressure in a hydraulic circuit. It raises the safety level by making it impossible for the plant operators to set a higher pressure rating, than that specified in the catalogue. It has a pack spring with a mechanical stop. It has a galvanised steel body. The guided ball poppet is in tempered and ground steel.

HYDRAULIC FEATURES

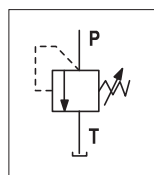
Max. working pressure	290 bar
Setting range:	
Spring 0 (white)	max 50 bar
Spring 1 (green)	max 90 bar
Spring 2 (yellow)	max 190 bar
Spring 3 (red)	max 290 bar
Max. Flow	20 l/min
Hydraulic fluid	DIN 51524 Mineral oils
Fluid viscosity	10 ÷ 500 mm ² /s
Fluid temperature	-25°C ÷ 75°C
Ambient temperature	-25°C ÷ 60°C
Max. contamin. level class with filter	ISO 4406:1999 - class 19/17/14
Weight	0,12 kg
Tightening torque	28 ÷ 32 Nm
Cavity (M18x1,5)	CN041009 (See section 17)

ACCESSORIES

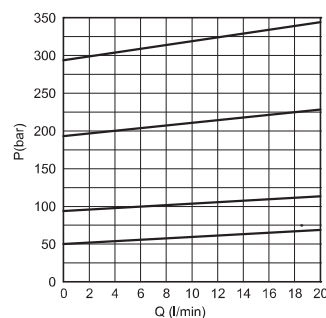
Detachable plug	Code
Unremovable version 	60309200
Removable version 	60309100

The minimum permissible setting pressure depending on the spring: see curves below

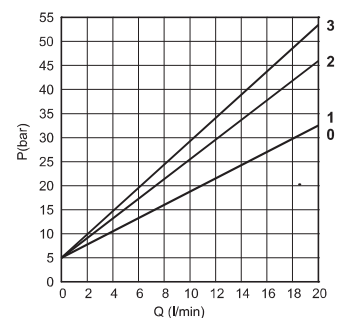
HYDRAULIC SYMBOL



PRESSURE-FLOW RATE



MIN.SETTING PRESSURE



0 = 0 ÷ 50 bar - 1 = 35 ÷ 90 bar - 2 = 75 ÷ 190 bar - 3 = 160 ÷ 290 bar
 Fluid used: mineral based oil with viscosity 46 mm²/s at 40°C.

ORDERING CODE

Adjustment	Setting ranges	Code
C Screw	0 ÷ 50 bar (white spring)	21000016.000
	35 ÷ 90 bar (green spring)	21000000.000
	75 ÷ 190 bar (yellow spring)	21000001.000
	160 ÷ 290 bar (red spring)	21000002.000

Adjustment	Setting ranges	Code
V Handwheel	0 ÷ 50 bar (white spring)	21000017.000
	35 ÷ 90 bar (green spring)	21000003.000
	75 ÷ 190 bar (yellow spring)	21000004.000
	160 ÷ 290 bar (red spring)	21000005.000